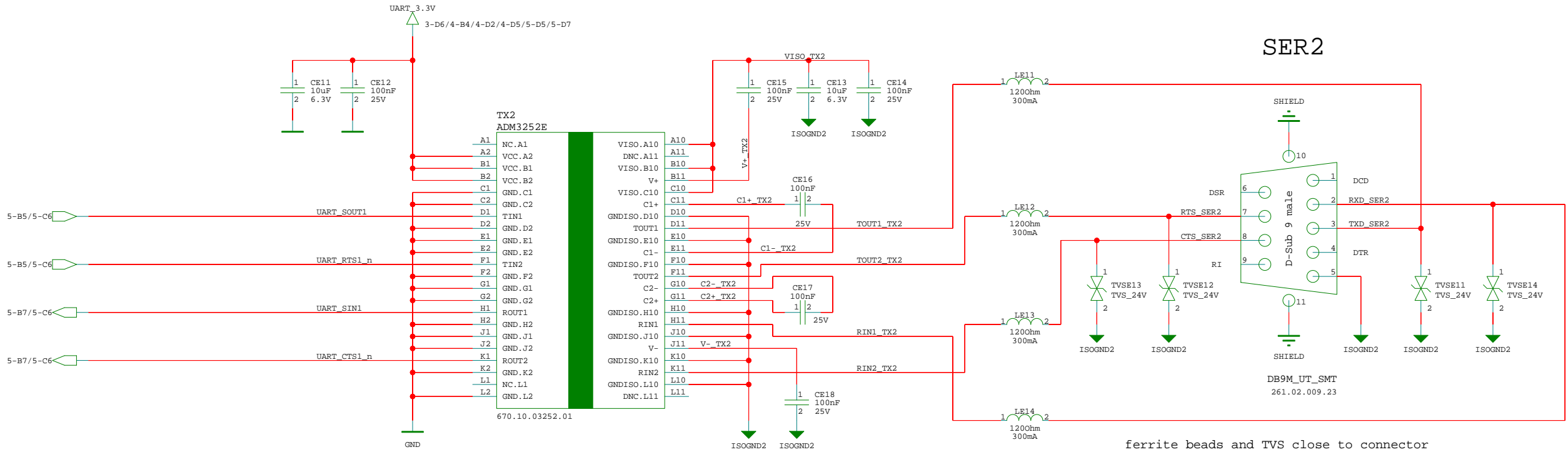


setup PCB layout suitable for 250VAC insulation



setup PCB layout suitable for 250VAC insulation

Board	DU2-PONY	Rev.	0.0
Sheet Name	06: EIA 232 Transceiver 1 & 2	E	
Date, Design	2012-04-20	jj	Sheet 6 of 6